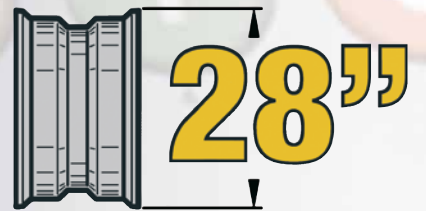


NEW

TEST AND GARAGE EQUIPMENT



B 225 A Evo PRO + SMD



HPA
Faip



**Electronic wheel balancers
for car, van and motorcycle
wheels**

**B 225 C - B225
B 215
Evo**

Main features

High performance digital wheel balancer with latest generation software solutions

B 225 C Evo PRO: Version with automatic clamping system PNEULOCK, with automatic input of wheel diameter and distance. Electrical clamping brake.

B225 Evo PRO: Version with manual wheel clamping system with automatic input of wheel diameter and distance. Electrical clamping brake

B 225 Evo: Version with manual wheel clamping system with automatic input of wheel diameter and distance.

B 215 Evo: Version with manual wheel clamping system with manual input of wheel diameter and distance.

All models are normally supplied with automatic spin by pushing down wheel guard.

Low rotation speed and double spinning button allow the machine to be used without wheel guard even in EEC area.

All models:

- 1. A double display control panel** enables a quick and intuitive selection of the balancing mode and immediate access to the most common operating functions.
- 2. Weight tray** ergonomic and functional, it features many large trays to house all different types of weights and the various tools.
- 3. Spin unit** derives from the superior models of the B-Series and provides functional features typical of the upper models: reduced cycle time, measuring wheels weighing up to 75 kg and wheel balancing with inside offset of up to 275 mm without using additional spacers.

The innovative drive and zero maintenance ensure maximum reliability.



Functional features

B 225 C Evo PRO - B225 Evo PRO - B 225 Evo:

- 4. Electronic input** of wheel diameter and distance with AUTOSEL function which automatically activates the balancing programmes, avoiding keypad selection.
- 5. Three modes to position** the adhesive weights: with the weight holder clip (*), with the 6 o'clock laser indicator (*), or manually at 12 o'clock.
- 6. SMD automatic sensor** (*) for measurement of wheel width.
- 7. Automatic calculation of the width** (AWC function) even if the SMD external sensor is not present. The wheel balancer calculates the width by reducing the operational time.
- 8. Automatic Position Search** (RPA: automatic wheel positioning in the point where the balancing weight has to be applied) and electrical positioning brake (**only for B 225 Evo PRO**).
- 9. LED spotlight** (*) to light-up the work area and make it easier to clean the rim, check the wheel and apply weights. The adhesive weights can be positioned extremely rapidly using the **laser pointer** (*) at 6 o'clock.

10. New "PNEULOCK" automatic air wheel clamping system, with constant torque, for shorter operative times and higher centering accuracy (**solo per B 225 C Evo PRO**), or manual wheel clamping with quick ring (**B 225 - B 215**).

NEW

NEW

Higher and higher precision and reliability

B 225 Evo
B 215 Evo



| Modell | PneuLock | RPA | ELEC BRAKE | AUTSEL | EasyALU | AWC | 5 M | TwinLight LASER LED | PEDAL BRAKE | SL zero |
|------------------------|----------|-----|------------|--------|---------|-----|-----|---------------------|-------------|---------|
| B 225 C Evo PRO | ☑ | | ☑ | ☑ | ○ | ☑ | ○ | ○ | ● | ○ |
| B 225 Evo PRO | ● | | ☑ | ☑ | ○ | ☑ | ○ | ○ | ● | ○ |
| B 225 Evo | ● | | ● | ☑ | ○ | ☑ | ● | ○ | ○ | ○ |
| B 215 Evo | ● | | ● | ● | ○ | ● | ● | ● | ○ | ○ |

☑ : Standard

○ : Optional

● : Not available



Functional features

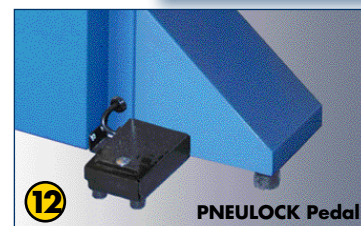
B 225 Evo - B 215 Evo:

11. Pedal wheel holder shaft locking brake, makes easier both the wheel clamping and unclamping options as well as the application of weights (*).

All models:

12. Front support base for balancing wheels up to 50 kg without fastening the machine to the ground (optional).

*: Optional function or accessory. See diagram alongside.



PNEULOCK Pedal

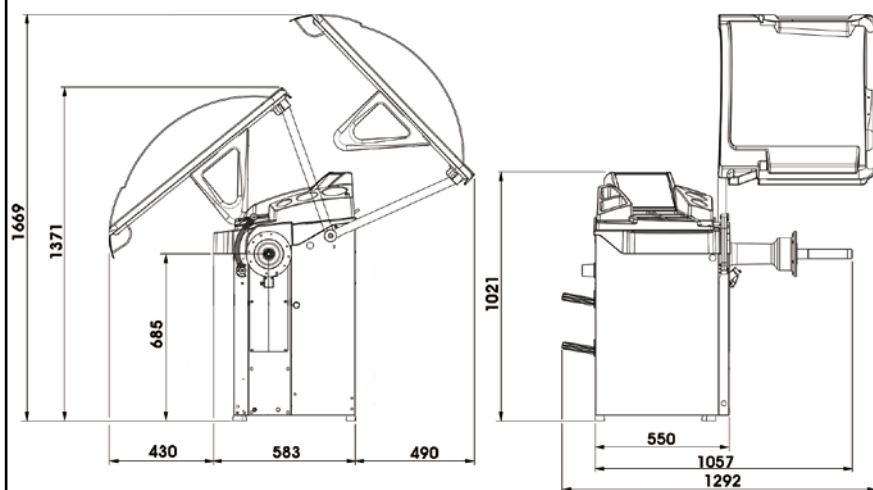
B 225 Evo B 215 Evo

Electronic wheel balancers for car, van and motorcycle wheels

Technical features

| | | | |
|---------------------------------|-------------------------|---|------------|
| Supply voltage | 115/230 V-1 Ph-50/60 Hz | Rim diameter measurable | 10" ÷ 28" |
| Total power absorption | 100 W | Rim width setting range | 1,5" ÷ 20" |
| Shaft diameter | 40 mm | Wheel support flange / machine distance | 275 mm |
| Noise level when running | < 70 dB (A) | Max. wheel width (with guard) | 600 mm |
| Max. unbalance value calculated | 999 g | Max. wheel diameter (with guard) | 1117 mm |
| Unbalance measurement accuracy | 1 g | Max. wheel weight (ground fastening) | 75 kg |
| Spinning speed | 90 ÷ 130 r.p.m. | Average measuring time | 7 sec |
| Rim diameter setting range | 1" ÷ 35" | Machine weight (without accessories) | 75 kg |

Dimensions



Supplied accessories



Optional accessories



| | |
|--|---|
| <input type="checkbox"/> SL-Ø Wheel lifting device | <input type="checkbox"/> FUC40 Flange for passenger car without central hole |
| <input type="checkbox"/> TWL-L Inside wheel LED light and LASER pointer kit | <input type="checkbox"/> DX1/CF Set of accessories for center hole vans and 4WD wheels |
| <input type="checkbox"/> SMD Automatic sensor for measurement of wheel width | <input type="checkbox"/> BIKE KIT Universal self-centering flange for bike and scooter wheels mm. D.14 mm. complete bike centering set |
| <input type="checkbox"/> FSP25 Pedal wheel holder shaft locking brake | |
| <input type="checkbox"/> TP25 STD ALU weight-holder terminal | |
| <input type="checkbox"/> KP25 Base for balancing wheels up to 50 kg without fastening the machine | |

Further accessories of our full-range are available upon request. For information, please refer to our picture catalogue.



NEXION S.p.A.
www.hpa-faip.it - info@hpa-faip.it



Made in Italy