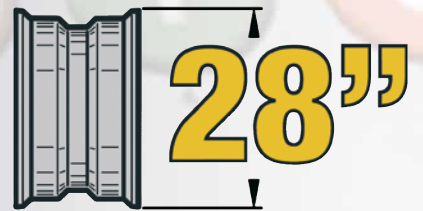


**NEW**

**TEST AND GARAGE EQUIPMENT**



**B 225 A Evo PRO + SMD**



**HPA**  
**Faip**



**Electronic wheel balancers  
for car, van and motorcycle  
wheels**

**B 225 C - B225  
B 215  
Evo**

## Main features

**High performance** digital wheel balancer with latest generation software solutions

**B 225 C Evo PRO:** Version with automatic clamping system PNEULOCK, with automatic input of wheel diameter and distance. Electrical clamping brake.

**B225 Evo PRO:** Version with manual wheel clamping system with automatic input of wheel diameter and distance. Electrical clamping brake

**B 225 Evo:** Version with manual wheel clamping system with automatic input of wheel diameter and distance.

**B 215 Evo:** Version with manual wheel clamping system with manual input of wheel diameter and distance.

All models are normally supplied with automatic spin by pushing down wheel guard.

Low rotation speed and double spinning button allow the machine to be used without wheel guard even in EEC area.

### All models:

- 1. A double display control panel** enables a quick and intuitive selection of the balancing mode and immediate access to the most common operating functions.
- 2. Weight tray** ergonomic and functional, it features many large trays to house all different types of weights and the various tools.
- 3. Spin unit** derives from the superior models of the B-Series and provides functional features typical of the upper models: reduced cycle time, measuring wheels weighing up to 75 kg and wheel balancing with inside offset of up to 275 mm without using additional spacers.

The innovative drive and zero maintenance ensure maximum reliability.



## Functional features

### B 225 C Evo PRO - B225 Evo PRO - B 225 Evo:

- 4. Electronic input** of wheel diameter and distance with AUTOSEL function which automatically activates the balancing programmes, avoiding keypad selection.
- 5. Three modes to position** the adhesive weights: with the weight holder clip (\*), with the 6 o'clock laser indicator (\*), or manually at 12 o'clock.
- 6. SMD automatic sensor** (\*) for measurement of wheel width.
- 7. Automatic calculation of the width** (AWC function) even if the SMD external sensor is not present. The wheel balancer calculates the width by reducing the operational time.
- 8. Automatic Position Search** (RPA: automatic wheel positioning in the point where the balancing weight has to be applied) and electrical positioning brake (**only for B 225 Evo PRO**).
- 9. LED spotlight** (\*) to light-up the work area and make it easier to clean the rim, check the wheel and apply weights. The adhesive weights can be positioned extremely rapidly using the **laser pointer** (\*) at 6 o'clock.

**10. New "PNEULOCK" automatic** air wheel clamping system, with constant torque, for shorter operative times and higher centering accuracy (**solo per B 225 C Evo PRO**), or manual wheel clamping with quick ring (**B 225 - B 215**).

**NEW**

**NEW**

Higher and higher precision and reliability

B 225 Evo  
B 215 Evo



Modell	PneuLock	RPA	ELEC BRAKE	AUTOSEL	EasyALU	AWC	5 M	TwinLight LASER LED	PEDAL BRAKE	SL zero
<b>B 225 C Evo PRO</b>	☑		☑	☑	○	☑	○	○	●	○
<b>B 225 Evo PRO</b>	●		☑	☑	○	☑	○	○	●	○
<b>B 225 Evo</b>	●		●	☑	○	☑	●	○	○	○
<b>B 215 Evo</b>	●		●	●	○	●	●	●	○	○

☑ : Standard

○ : Optional

● : Not available



## Functional features

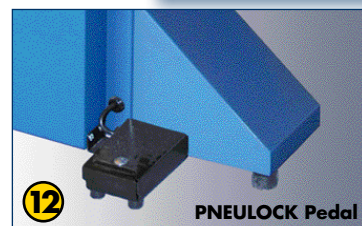
**B 225 Evo - B 215 Evo:**

**11. Pedal wheel holder shaft** locking brake, makes easier both the wheel clamping and unclamping options as well as the application of weights (\*).

**All models:**

**12. Front support base** for balancing wheels up to 50 kg without fastening the machine to the ground (optional).

\*: Optional function or accessory. See diagram alongside.



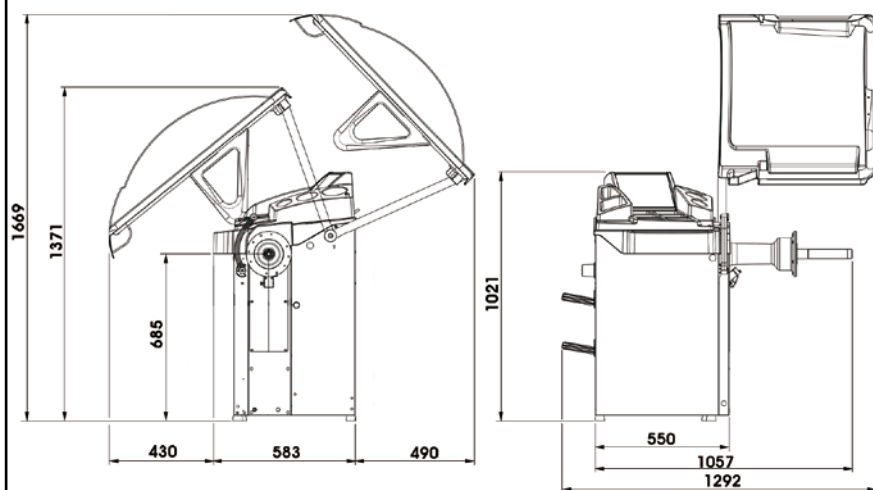
# B 225 Evo B 215 Evo

## Electronic wheel balancers for car, van and motorcycle wheels

### Technical features

Supply voltage	115/230 V-1 Ph-50/60 Hz	Rim diameter measurable	10" ÷ 28"
Total power absorption	100 W	Rim width setting range	1,5" ÷ 20"
Shaft diameter	40 mm	Wheel support flange / machine distance	275 mm
Noise level when running	< 70 dB (A)	Max. wheel width (with guard)	600 mm
Max. unbalance value calculated	999 g	Max. wheel diameter (with guard)	1117 mm
Unbalance measurement accuracy	1 g	Max. wheel weight (ground fastening)	75 kg
Spinning speed	90 ÷ 130 r.p.m.	Average measuring time	7 sec
Rim diameter setting range	1" ÷ 35"	Machine weight (without accessories)	75 kg

### Dimensions



### Supplied accessories



### Optional accessories



SL-Ø	Wheel lifting device	FUC40	Flange for passenger car without central hole
TWL-L	Inside wheel LED light and LASER pointer kit	DX1/CF	Set of accessories for center hole vans and 4WD wheels
SMD	Automatic sensor for measurement of wheel width	BIKE KIT	Universal self-centering flange for bike and scooter wheels mm. D.14 mm. complete bike centering set
FSP25	Pedal wheel holder shaft locking brake		
TP25	STD ALU weight-holder terminal		
KP25	Base for balancing wheels up to 50 kg without fastening the machine		

Further accessories of our full-range are available upon request. For information, please refer to our picture catalogue.



NEXION S.p.A.  
www.hpa-faip.it - info@hpa-faip.it



Made in Italy